

Artistic  TM *imaging* [®]
BROCHURE of SERVICES

Introduction:

Founded: 1996
Operational: 2002
Number of Employees: 1-5
Headquarters in: Fresno, California

Dear Colleagues,

Having been an Illustrator and Designer for over 25 years in the Bay Area, Arizona and the Central Valley of California I have had the opportunity to lend my services to both the government and private sector. However, I have recently retired from the corporate world and started my own business in North Fresno. The name of my company is Artistic IMAGING.

Artistic IMAGING is a Digital 3D modeling, Illustration and Graphic Arts studio whose primary goal is to offer cost-effective, quality presentational services. Currently, Artistic IMAGING is a sole proprietorship, certified small business with several associate Designers, Illustrators and Digital 3D Modelers to assist in servicing client needs. Our history in creating presentational media includes Graphic Art, Digital 3D Modeling, Design, Technical illustration and Architectural Visualization. Among the corporations and businesses serviced were: Steven Myers & Associates, Hughes Missile Systems (now Raytheon), The Boeing Company, SRI International, McDonnell-Douglas, International Engineering, National Park Service, Robert Ferguson & Associates, JJB Solutions, A' n D Cable Products, Inc and EnViroDesign.

Mission Statement:

Our focus involves the creation of lasting partnerships, achieved through client satisfaction and derived from working closely with planning partners to insure a timely and cost-effective resolution for all projects. Following is some of the equipment, expertise and software used to support this goal.

Equipment

- UMAX 11 x 17 scanner bed accommodates large format documents. Scanning bed also has a slide tray accessory for transparencies.
- B/W and Color Hewlett-Packard 8500 PRINTING This is as close to offset printing as possible with current laserjet technology. This high-end printer is requested when the client is unwilling to go to the expense of using offset but wants similar quality.

Printing Services

HP 8500 Color Laserjet.
Billed either by the copy (sheet size 8-1/2 x 11, 11 x 17) or by quantity. Please check with COLOR Client requests for (1) color hardcopy per illustration is free. Any color extras charged @ .80 and 1.25 per copy for 8-1/2 x 11 and 11 x 17 respectively. Prices are lower than most franchise copy services.

Color Scanning:

UMAX B/W and Color Scanner (max. format size 11 x 17) with slide scanning capability. Sharp b/w, color scans and color correction are offered with this service.

Areas of Service:

- Architectural Visualization
- CAD
- Digital 3D Modeling
- Digital Image Editing
- Graphic Art
- Product Illustration
- Space Planning
- Technical Illustration

Software:

- Adobe Illustrator
- Adobe Photoshop CS
- Canvas
- CorelDraw
- Digital Photo Professional
- HTML Editor
- Infini-D
- Lightwave & Modeler
- Macromedia Director
- M/S Word
- Ray Dream Studio
- QuarkXpress

Security Clearance Level:

Secret

Fees:

Artistic IMAGING fees are structured to support low to medium spending budgets. Repeat clients pay no start fee and both repeat and first-time clients are offered discounts on multi-phase projects.

- We accept these major credit cards:
American Express, MasterCard, Visa, Diner's Club
PayPal and Cashier's Checks.

Hours of Operation:

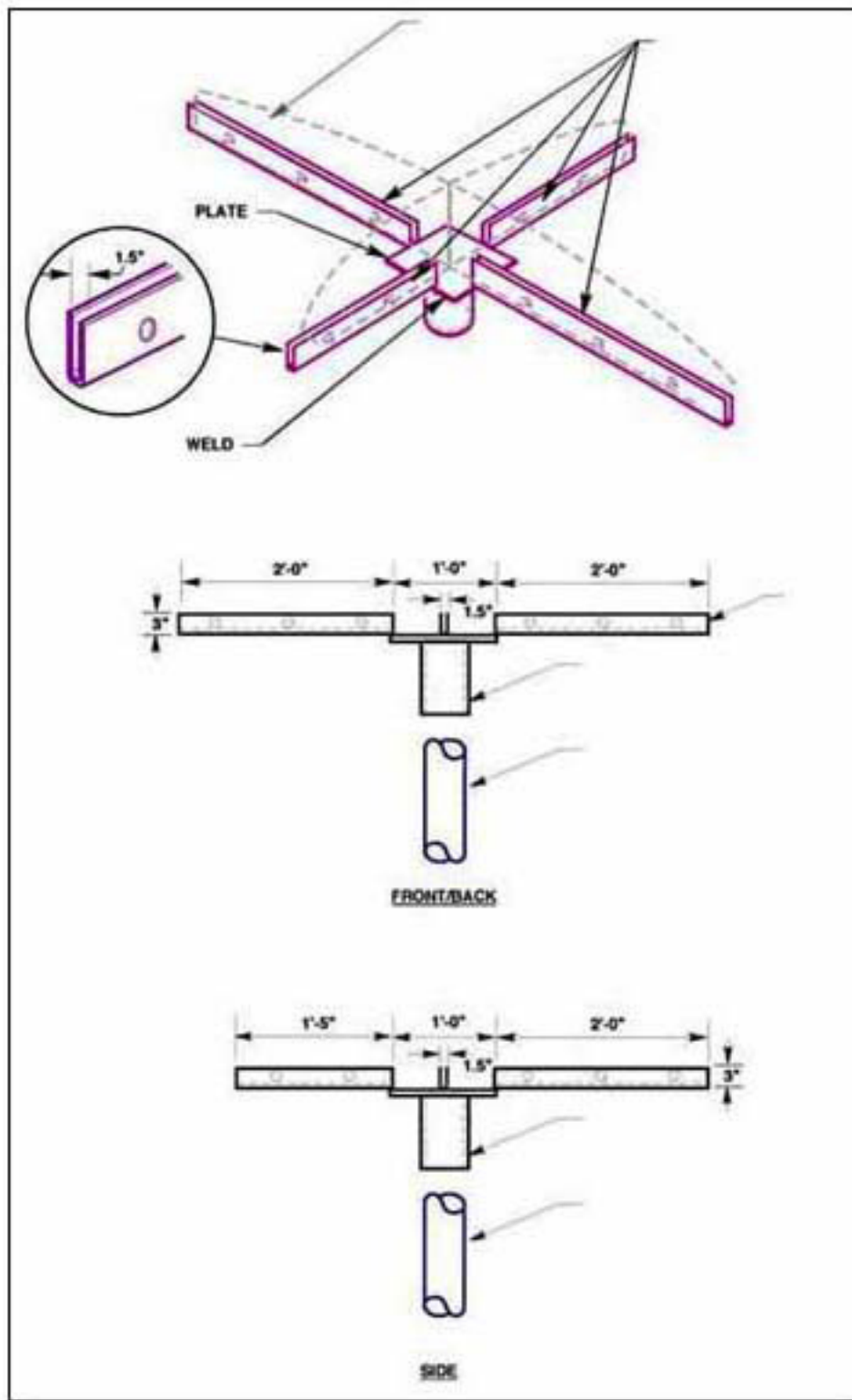
24 hour-a-day service except Sundays and Holidays.

Contact:

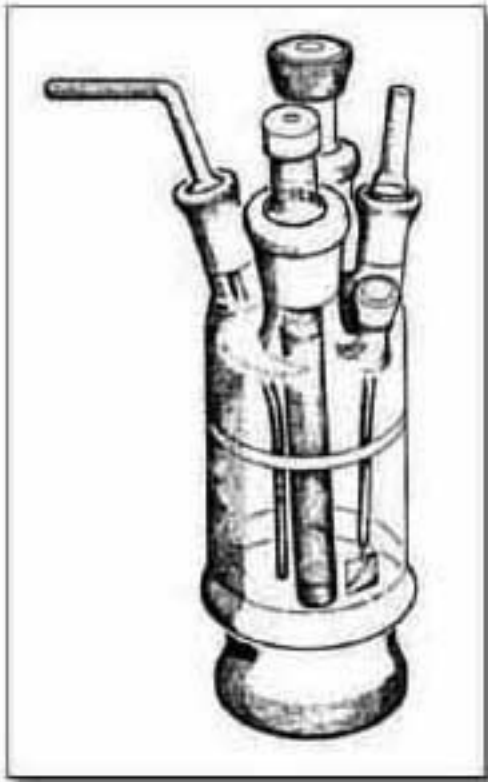
Phone: 559.299.3050
Email: artimag@sbcglobal.net
Mailing Address: P.O. Box 28253-8253
Website: <http://www.artistic-imaging.com>



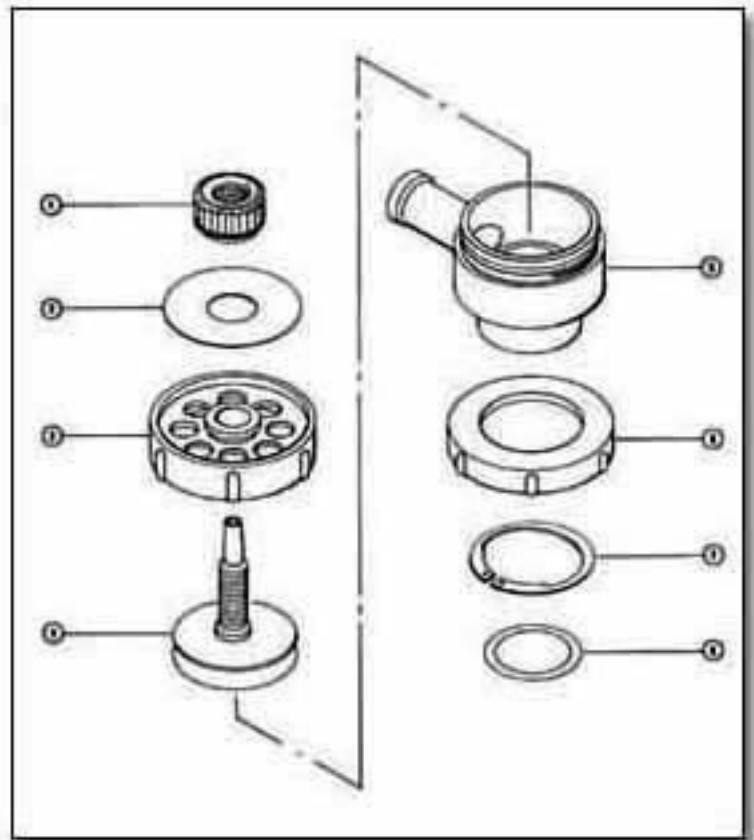
CAD • TECH ILLUSTRATION



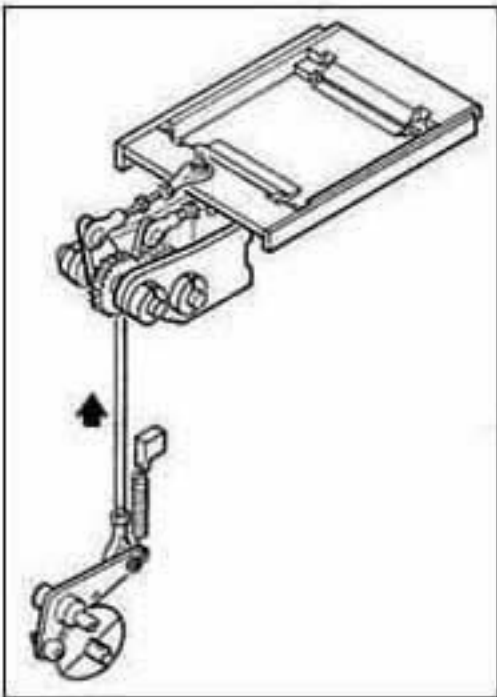
CAD - STRUCTURAL SUPPORT



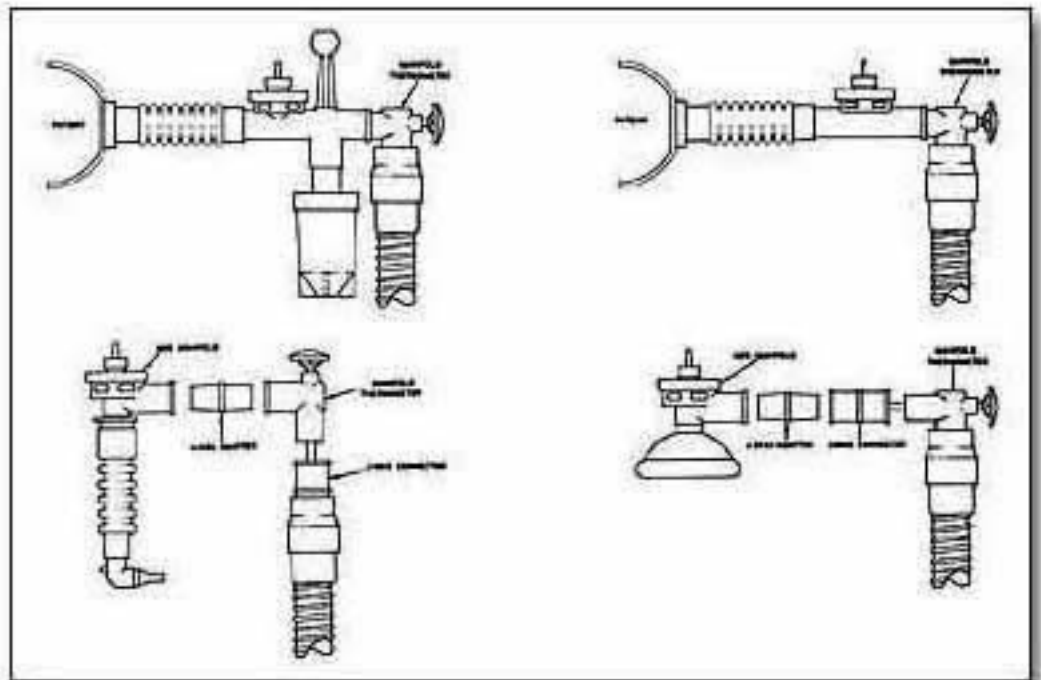
HAND DRAWN - BEAKER



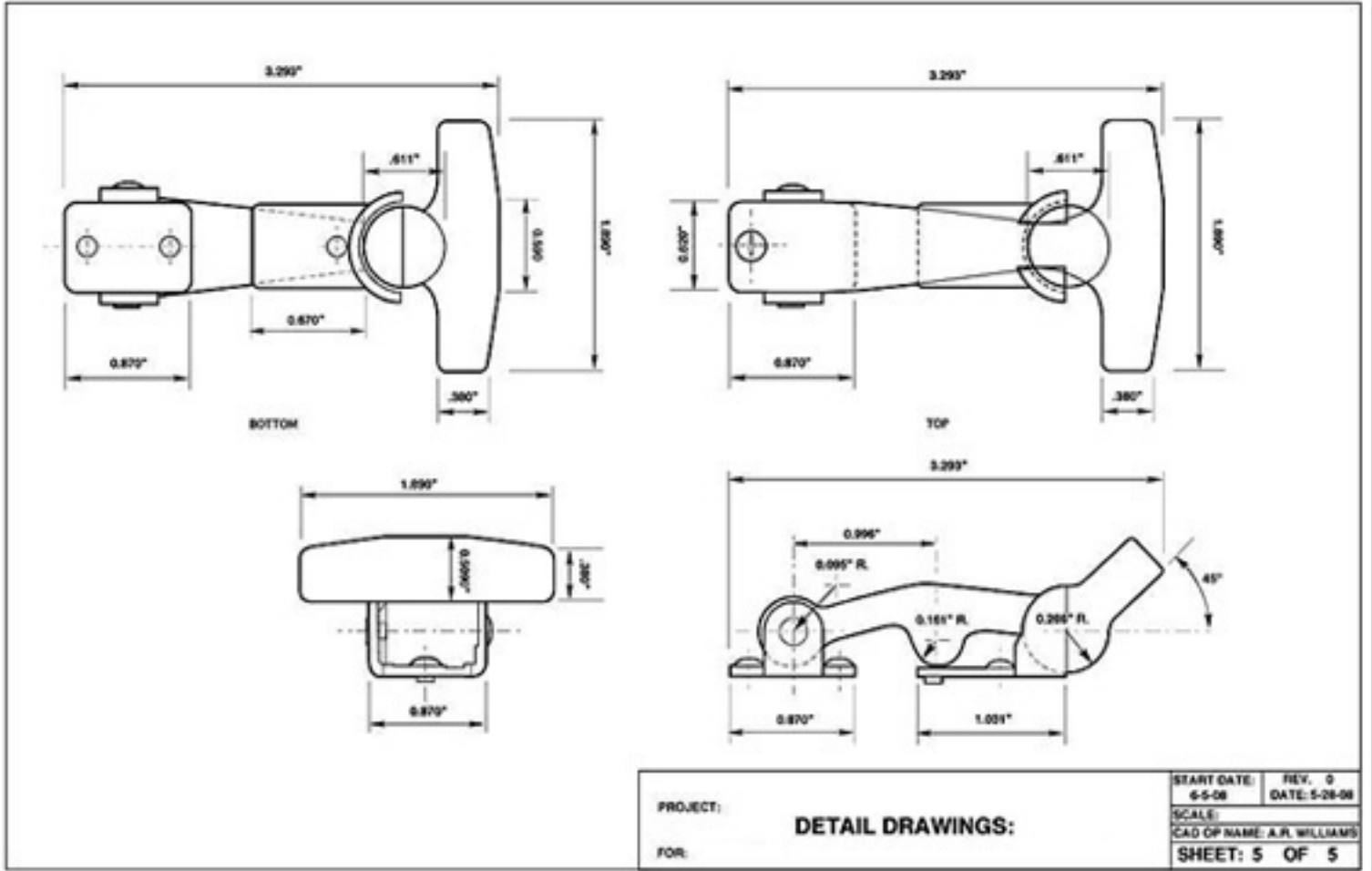
HAND DRAWN - RESPIRATOR COMPONENTS



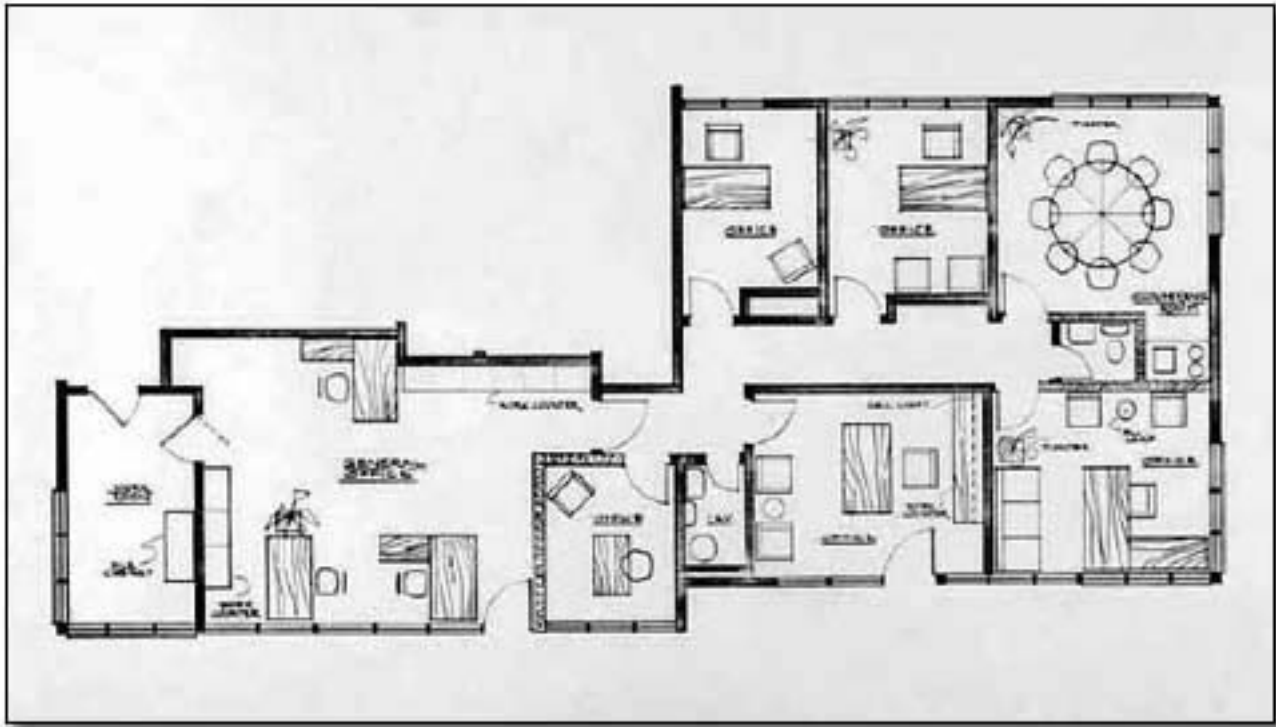
HAND DRAWN - SORTER



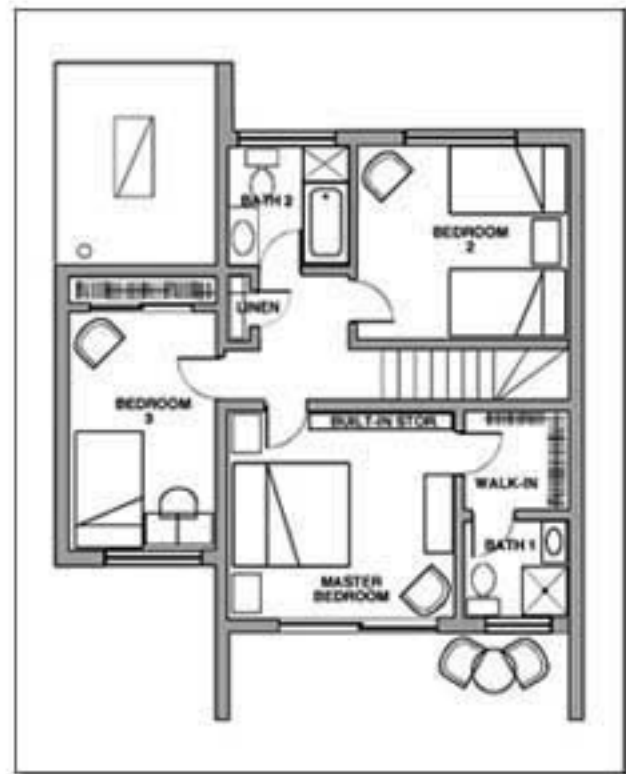
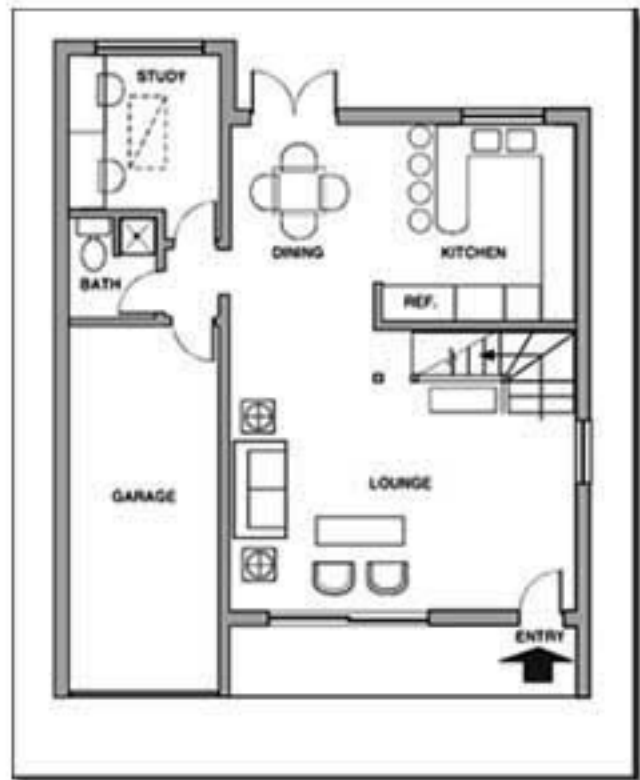
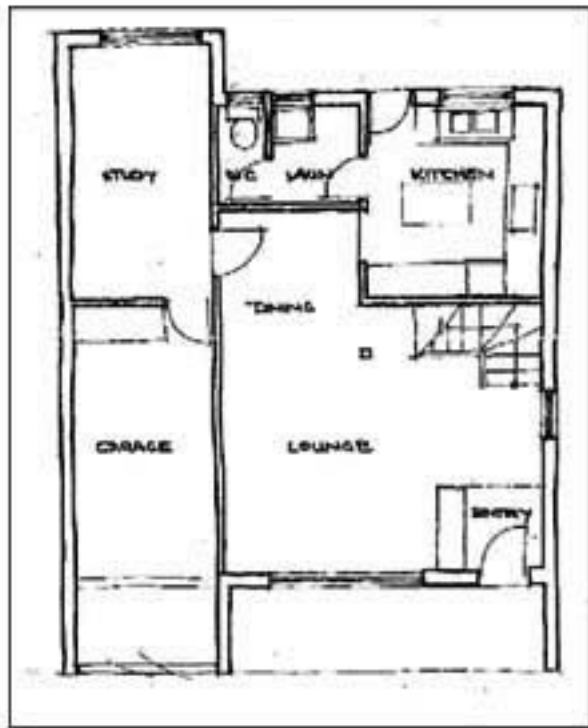
HAND DRAWN - RESPIRATOR CONFIGURATIONS



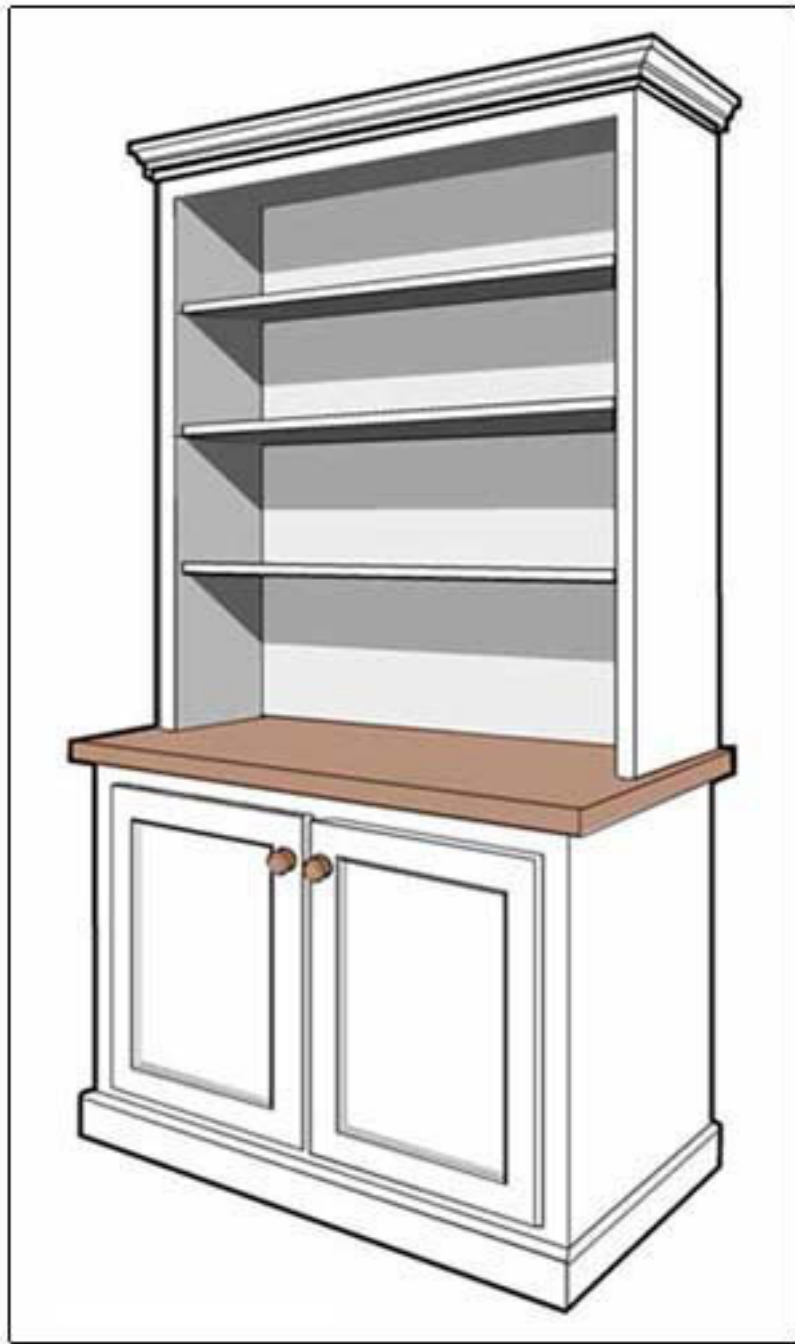
CAD - APPLIANCE HARDWARE



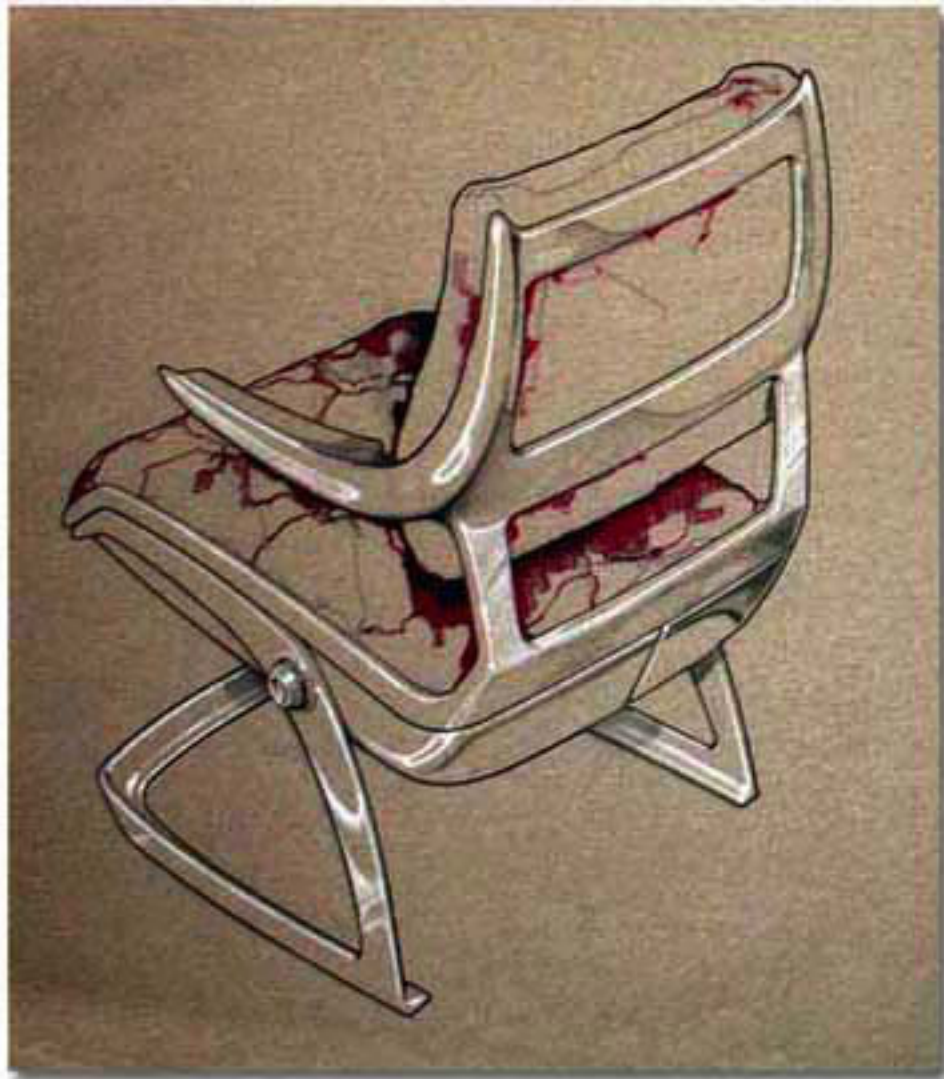
HAND DRAWN - OFFICE SPACE PLAN



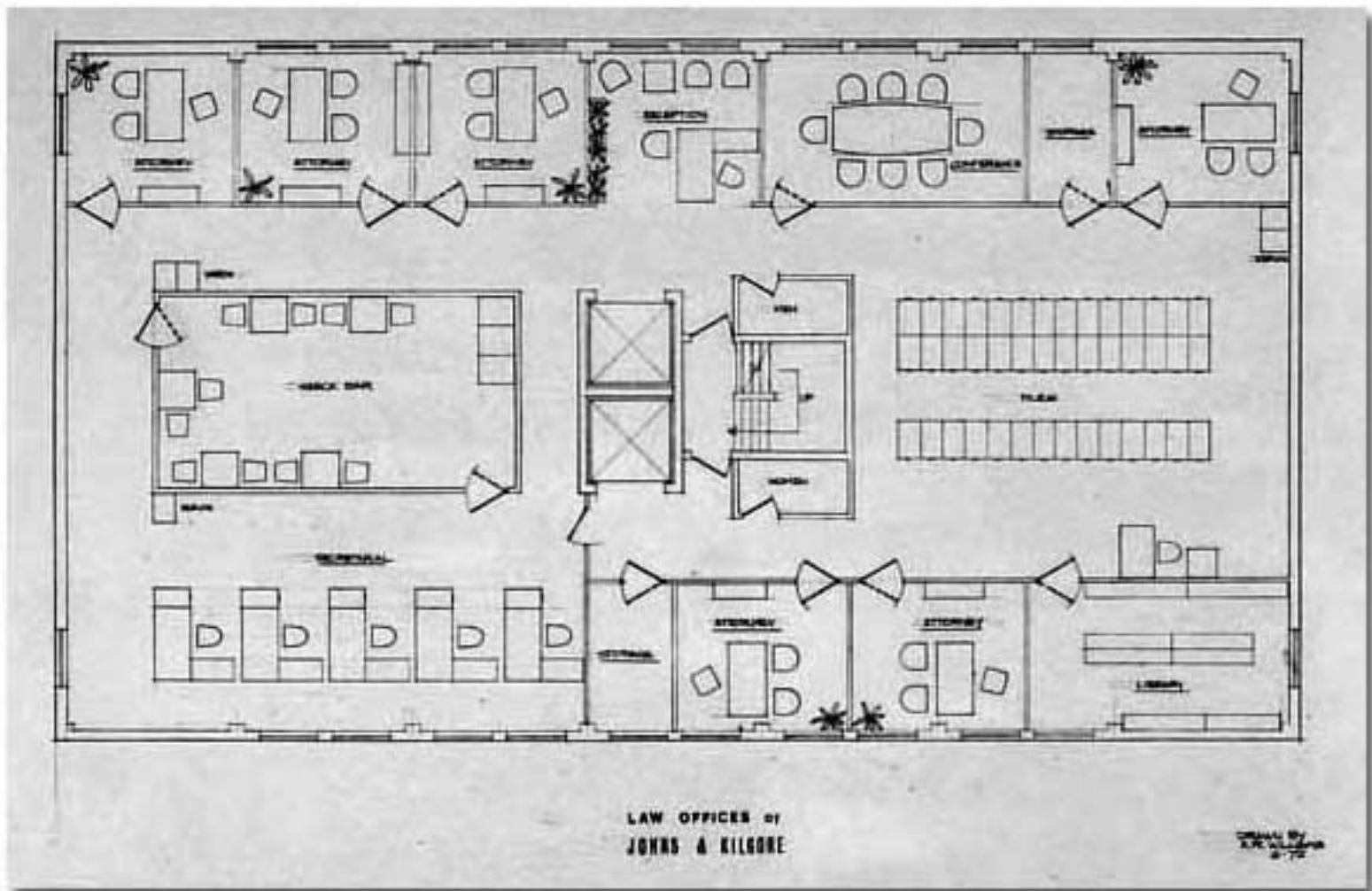
CAD - PLANNING FROM CLIENT SKETCH



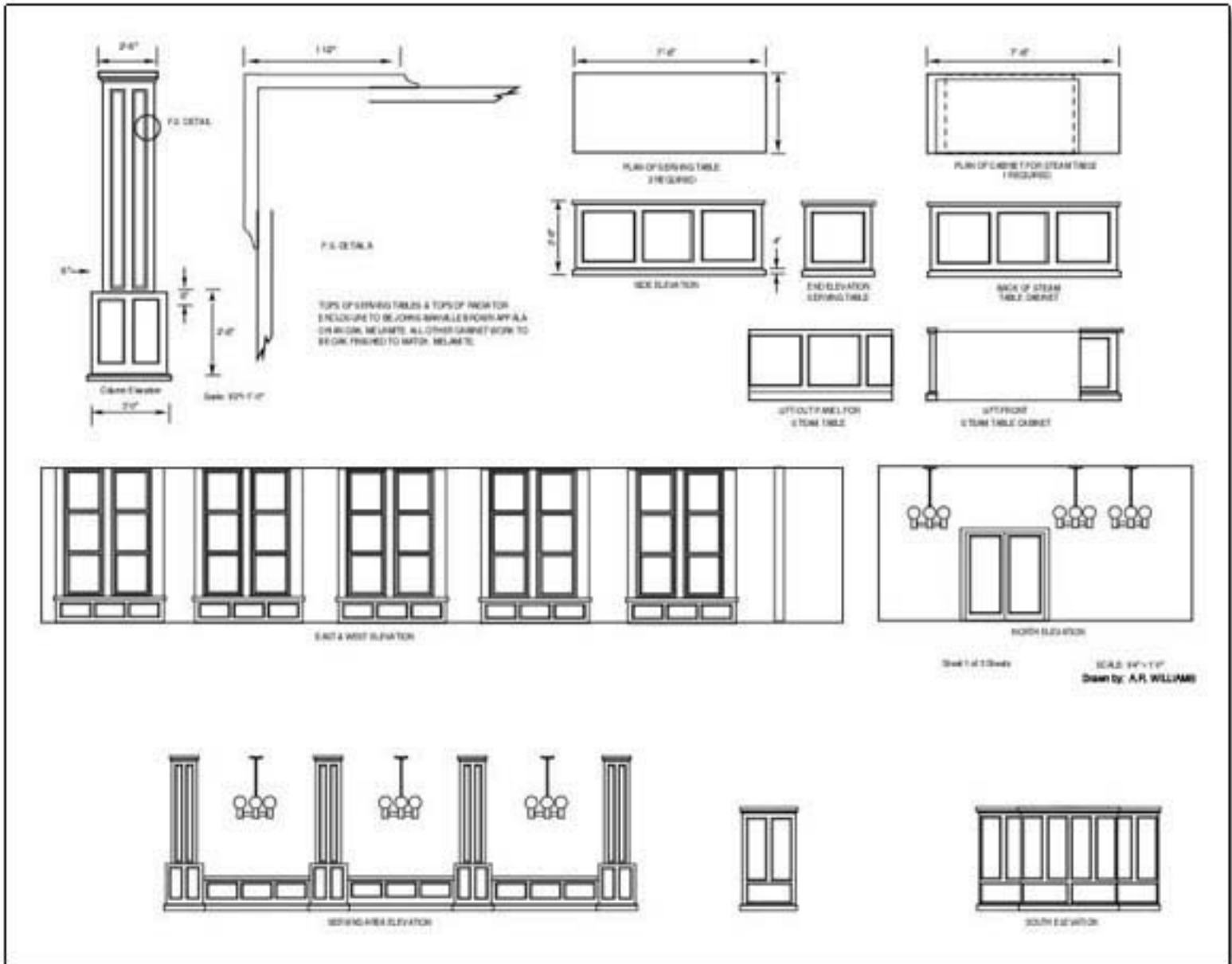
CAD - CATALOG ILLUSTRATION



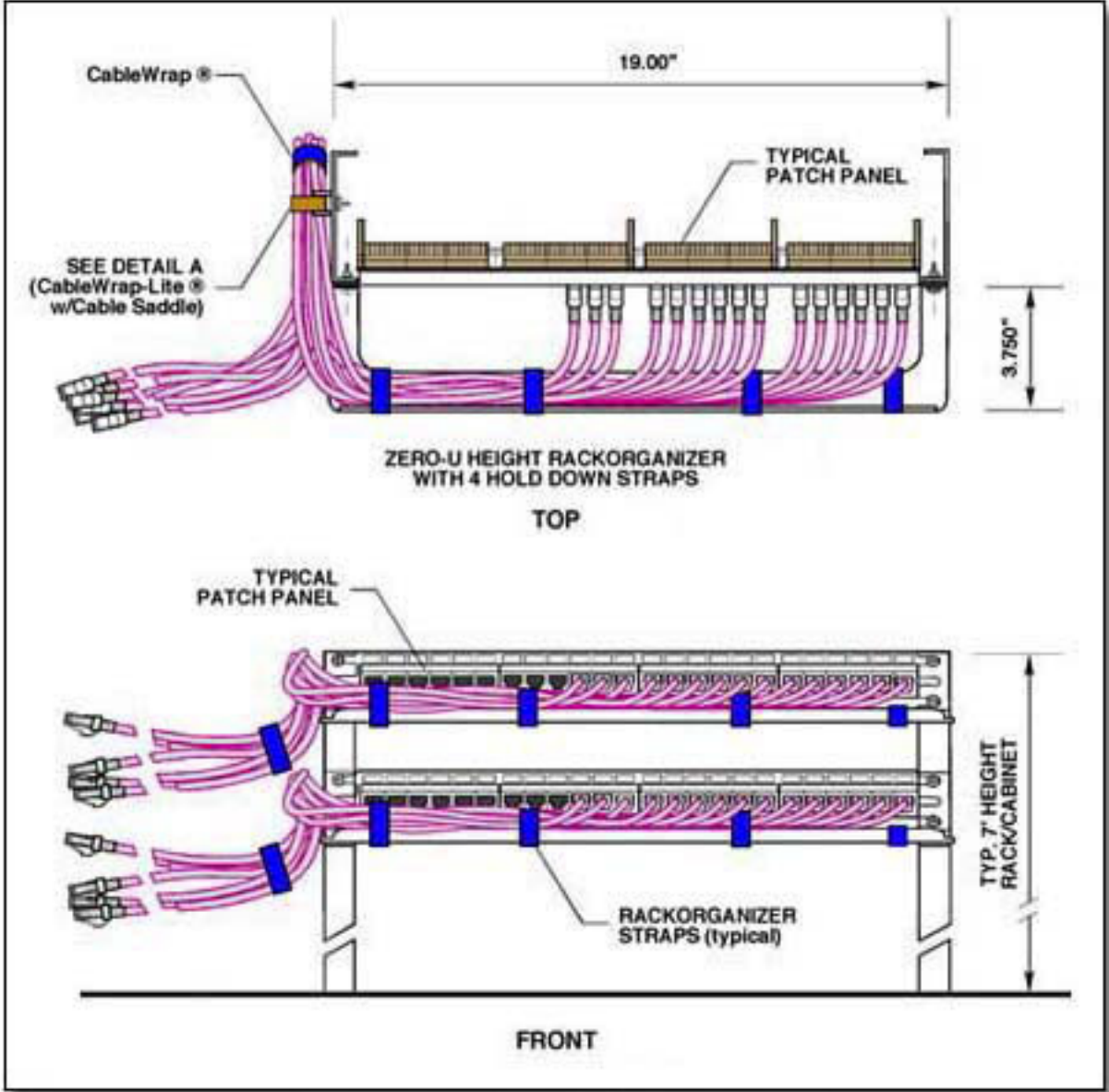
HAND DRAWN - FURNITURE CONCEPT



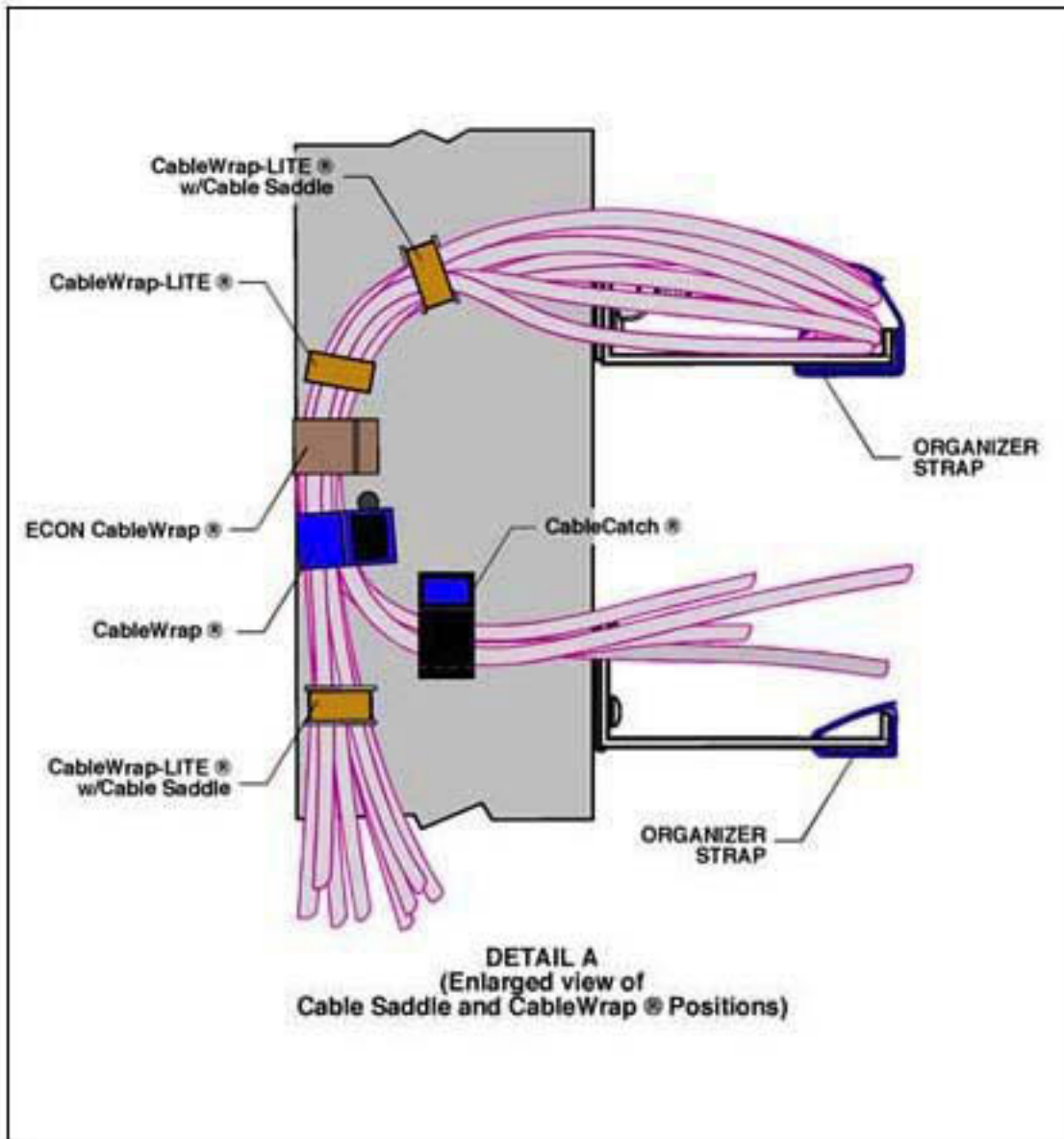
CAD - SPACE PLAN



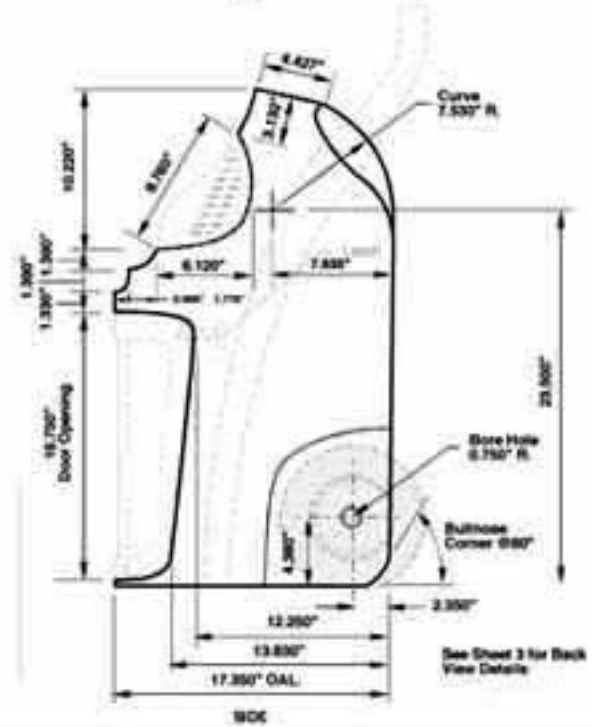
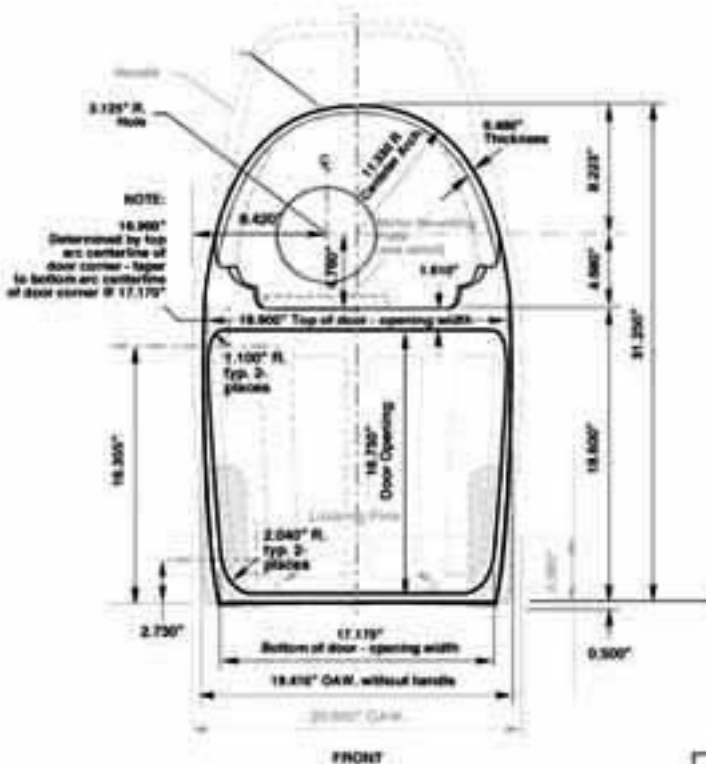
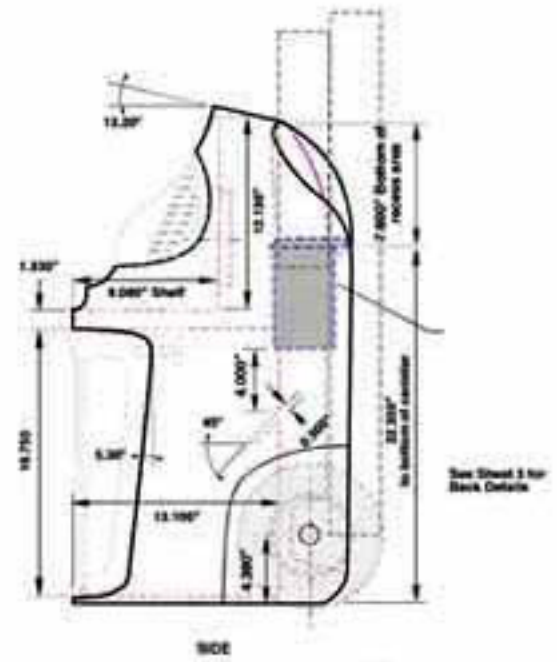
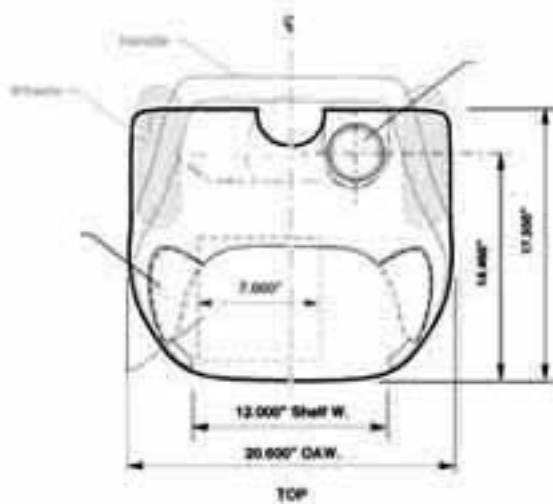
HAND DRAWN - ELEVATION FOR MONASTERY



CAD - CABLE MANAGEMENT

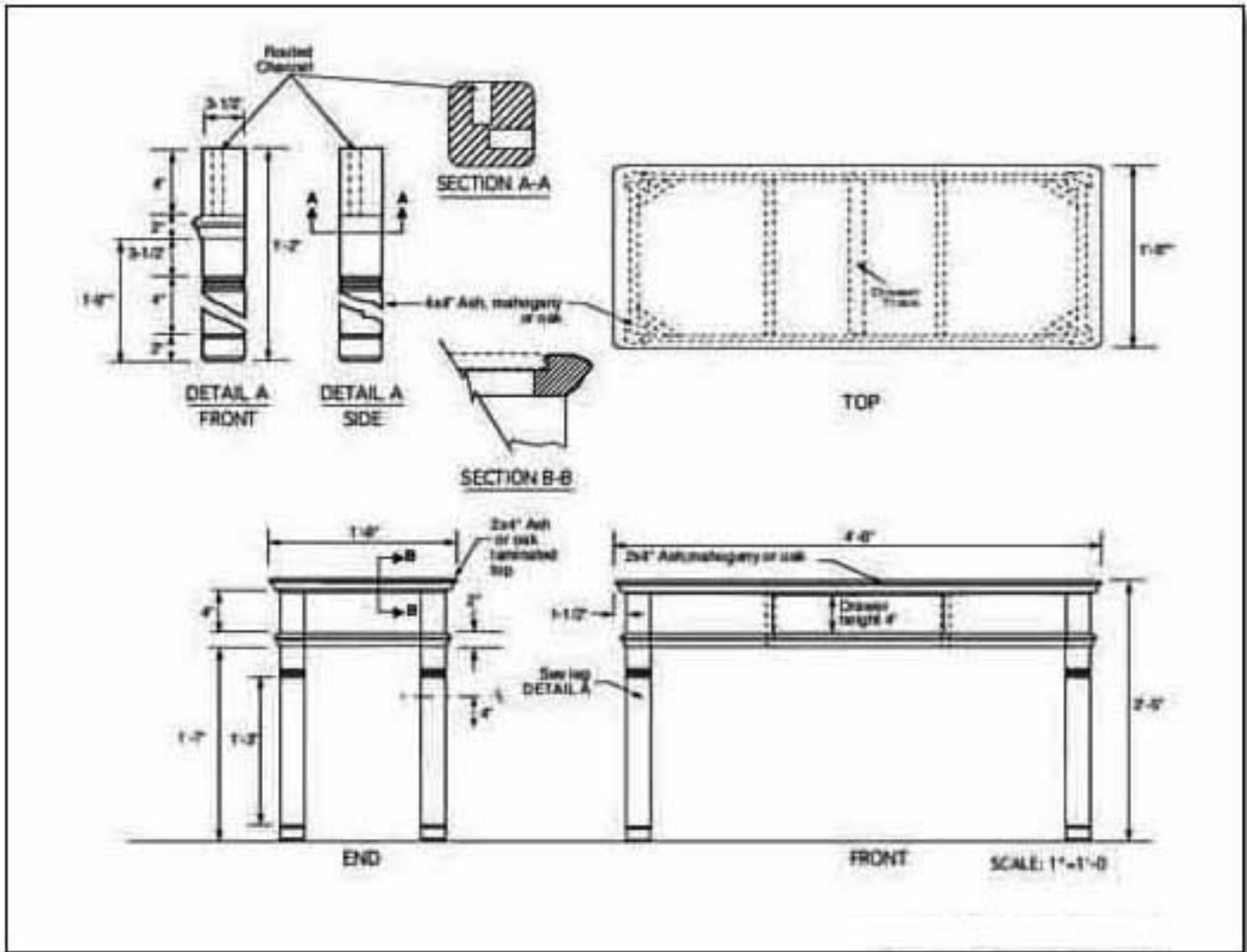


CAD - CABLE MANAGEMENT PROMOTION

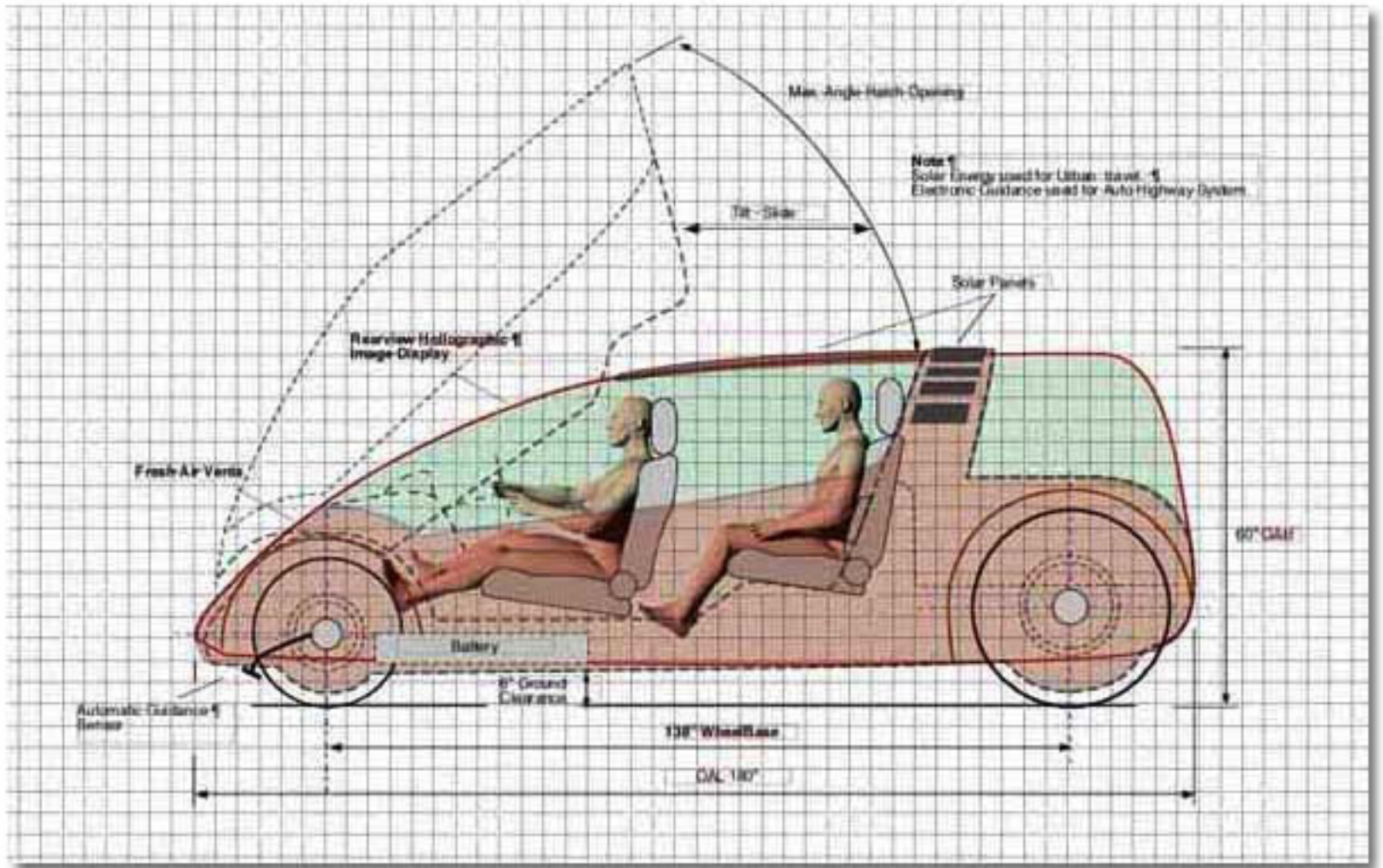


PROJECT:	START DATE:	REV. #
	5-30-08	DATE: 0-0-08
FOR:	SCALE:	2" = 1'-0"
	CAD OP NAME:	A. R. WILLIAMS
	SHEET:	2 OF 6

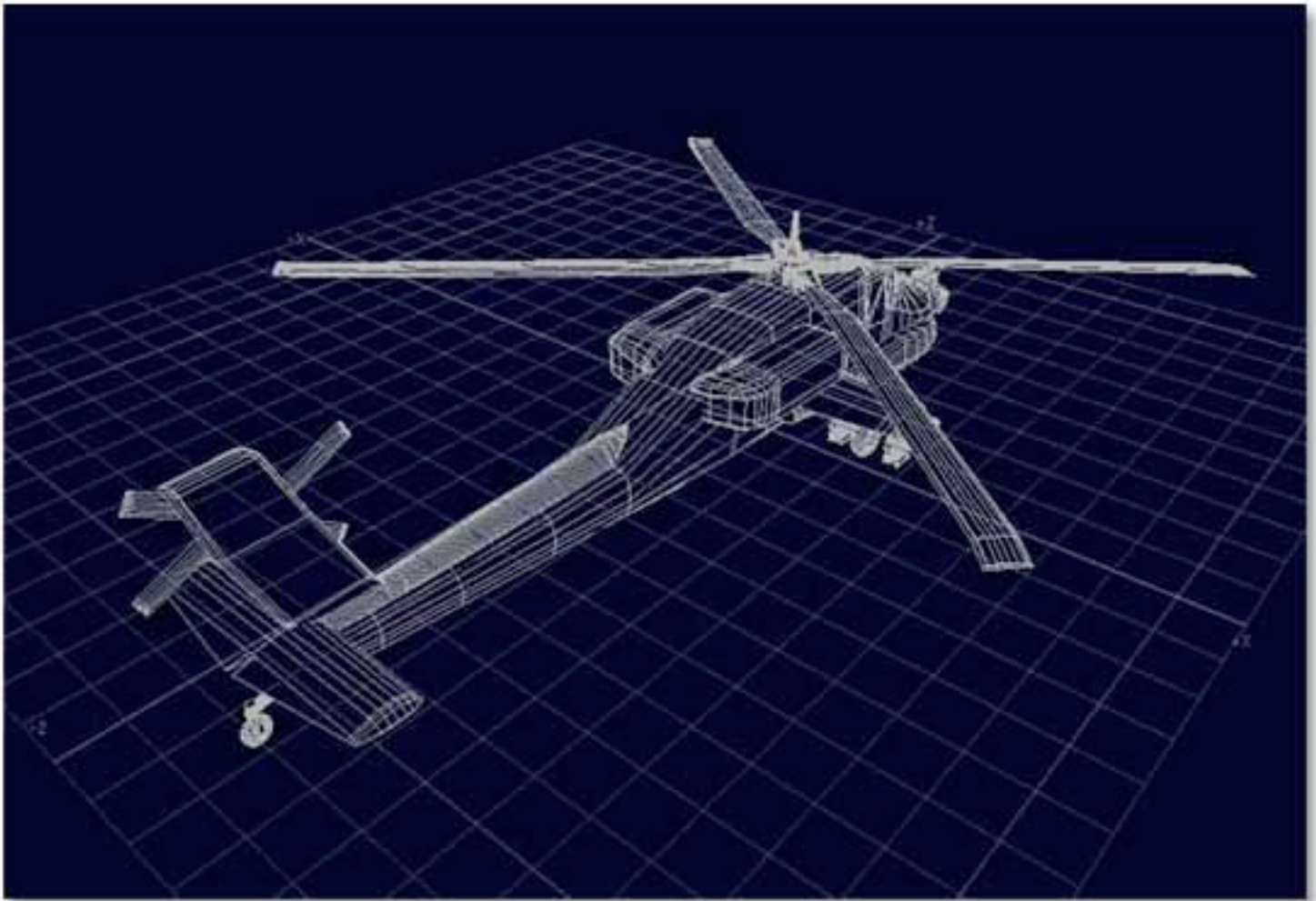
CAD - HOUSEHOLD PRODUCT



CAD - FURNITURE DESIGN



CAD - TRANSPORTATION CONCEPT



CAD - U.S. MILITARY



DIGITAL 3D MODELING



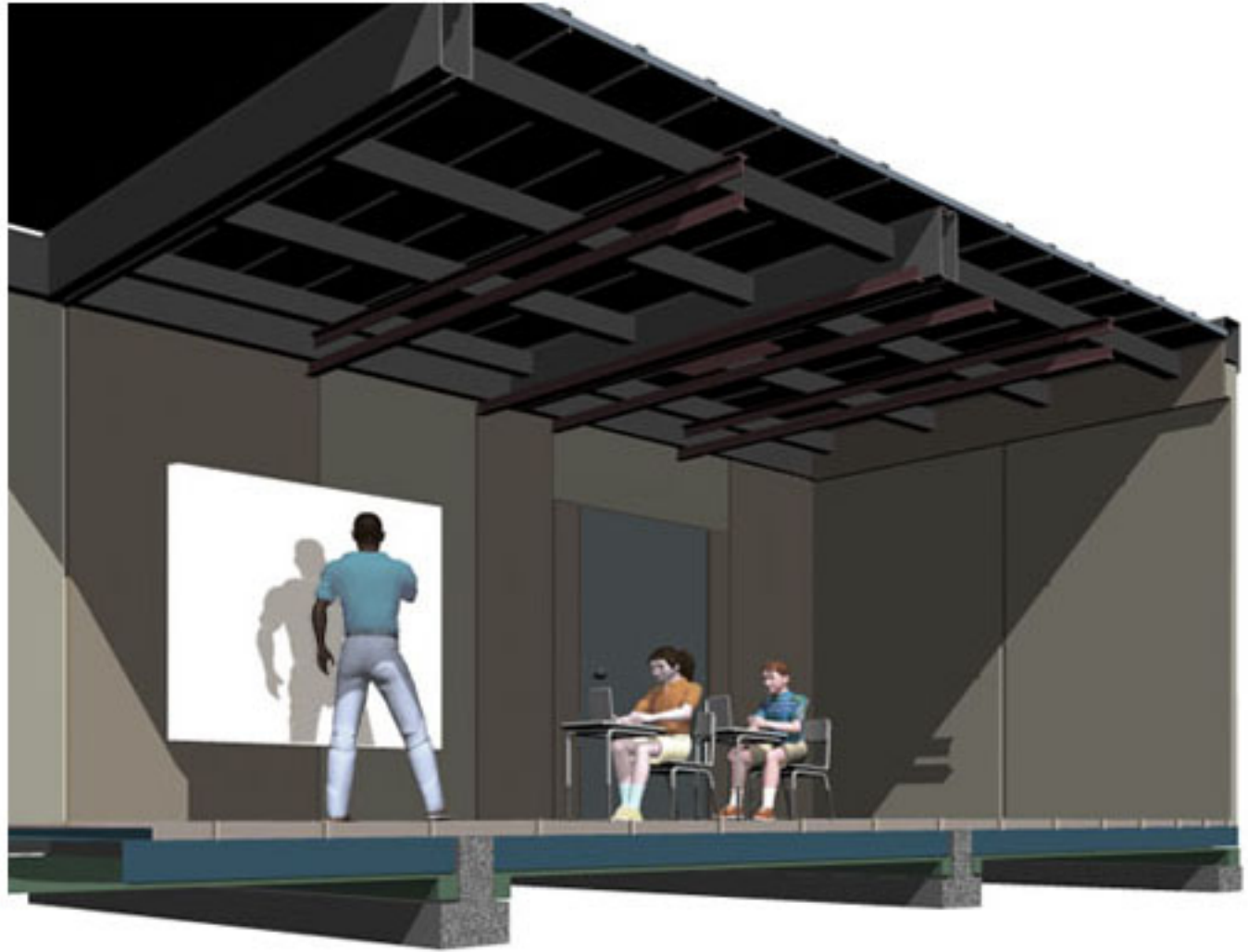
DIGITAL 3D - FURNITURE



DIGITAL 3D MODEL - FURNITURE



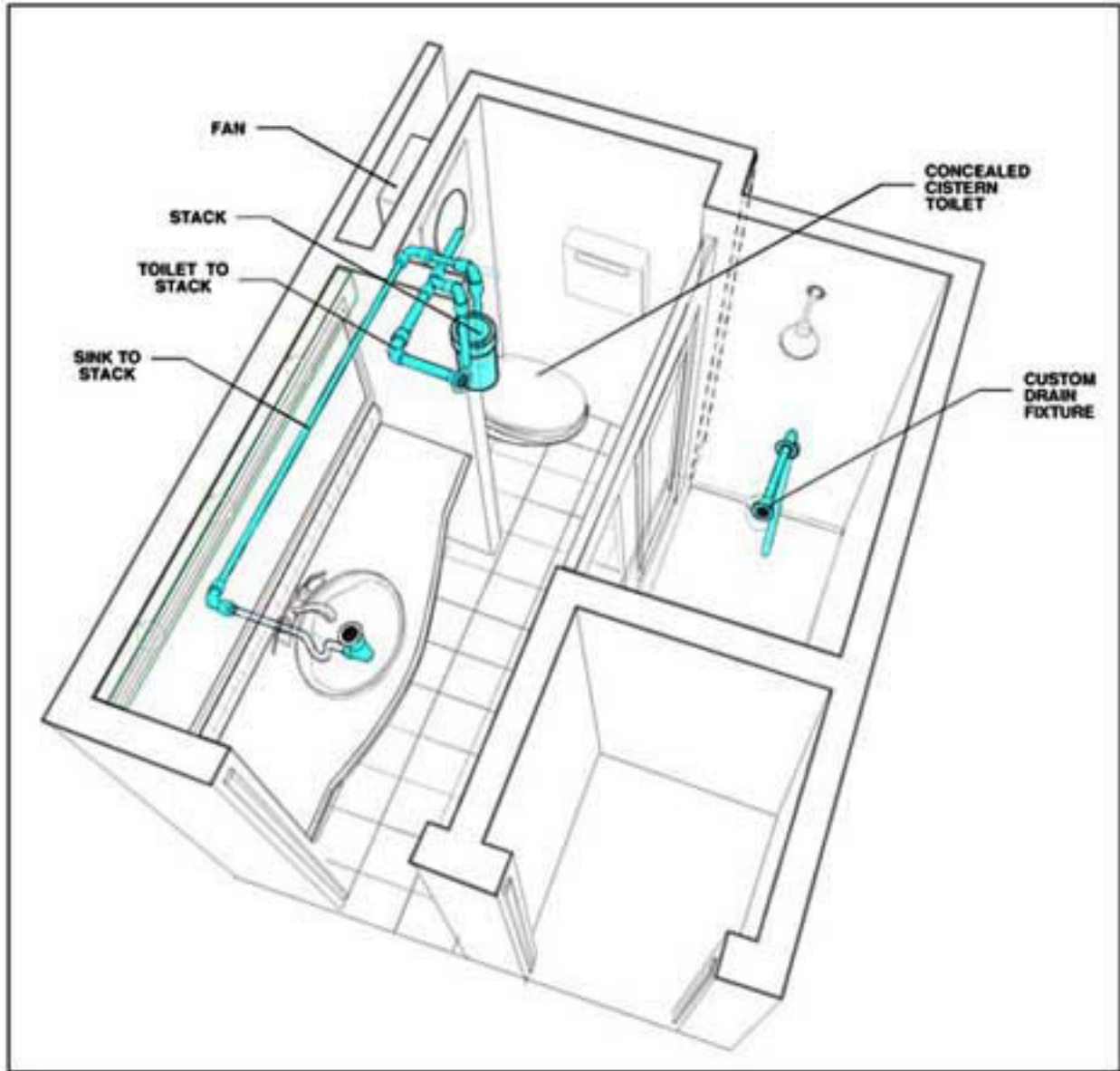
DIGITAL 3D MODEL - ARCHITECTURAL RENOVATION



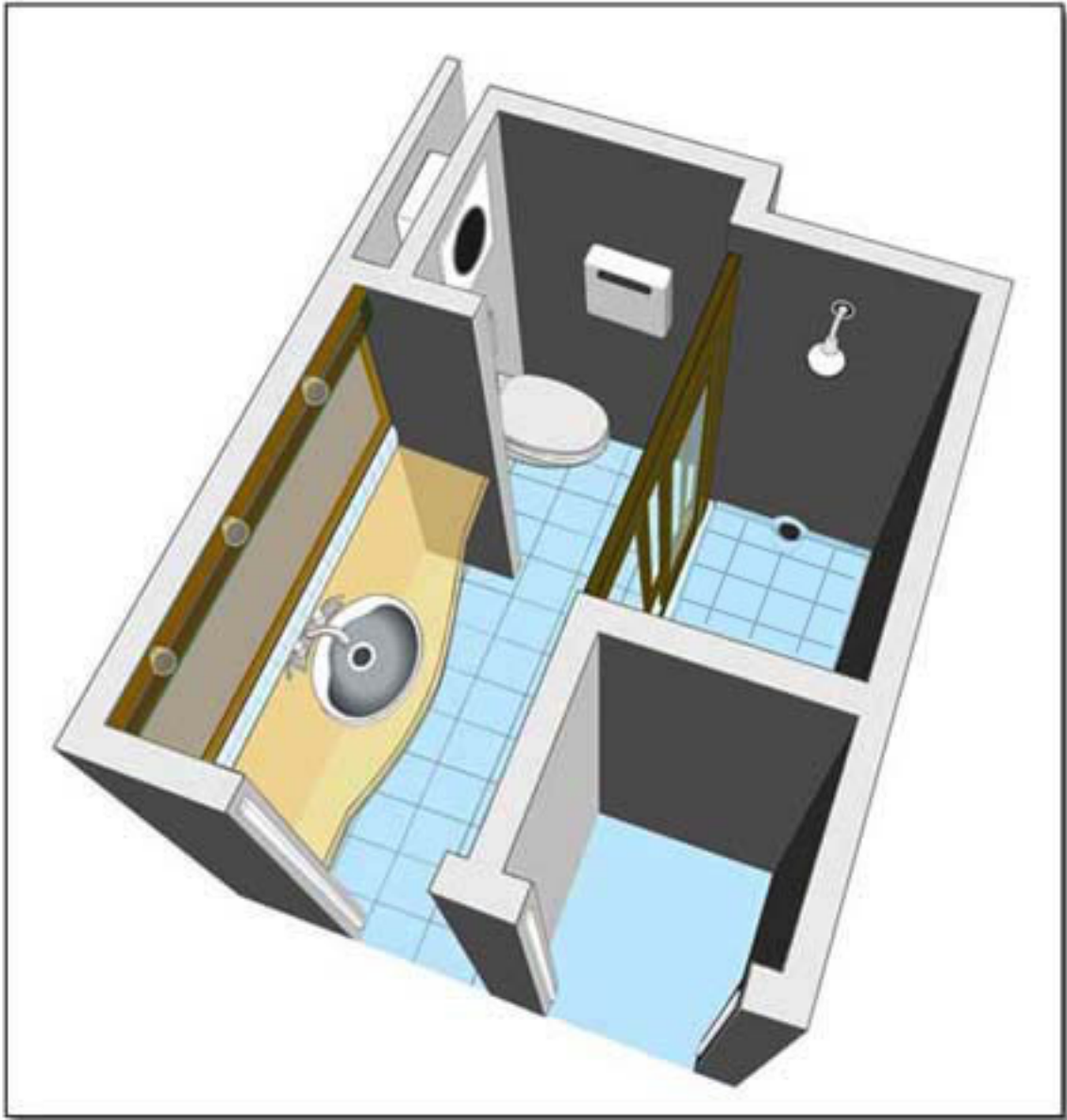
DIGITAL 3D MODEL - MODULAR CLASSROOM



DIGITAL 3D MODEL - MODULAR HOUSING



DIGITAL 3D MODEL - MODULAR BATH



DIGITAL 3D MODEL - MODULAR BATH



DIGITAL 3D MODEL - ILLUSTRATION FOR DEVELOPER



DIGITAL 3D MODEL - CONTRACT FURNITURE



DIGITAL 3D MODEL - SUBDIVISION HOME



DIGITAL 3D MODEL - ARCHITECTURAL



DIGITAL 3D MODEL - APPLIANCES



DIGITAL 3D MODEL - DOD ILLUSTRATION



DIGITAL 3D MODEL - KITCHEN